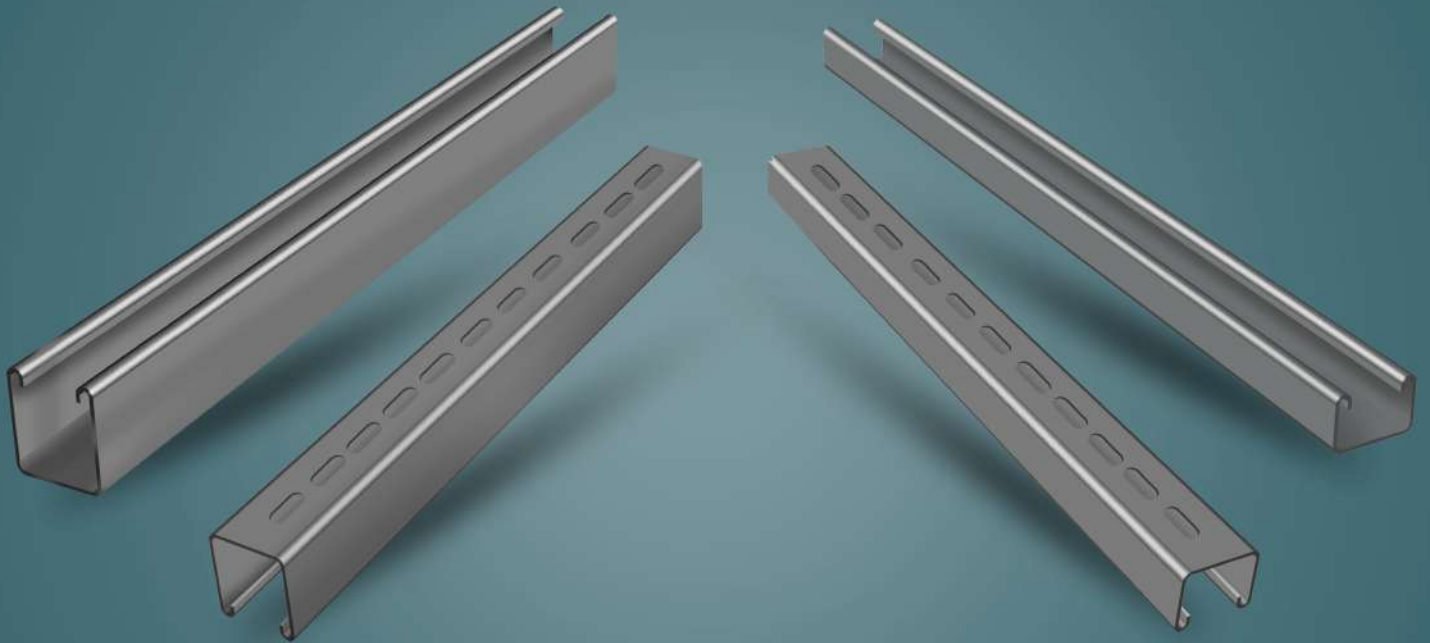




TECNALCO

Quality Air Distribution Since 1981



STRUT SYSTEMS

INDEX

- STRUT SYSTEMS ————— 2
- STRUT BRACKETS ————— 8

Strut channels are cold rolled from strip steel in the range of 1.5 to 2.5mm to BS 6946. These are available in both plain and slotted profiles.

Product Specification:

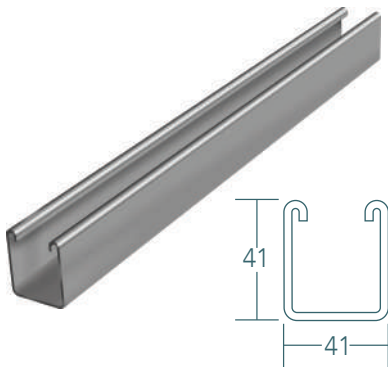
- Pregalvanized Steel (PGL)
- Hot dip Galvanized (HDGL) as per BS EN 1461
- Powder Coating (PC) of Desired RAL
- Stainless Steel (SS) Strut Channel to AISI 304 and AISI 316L

Sizes Available

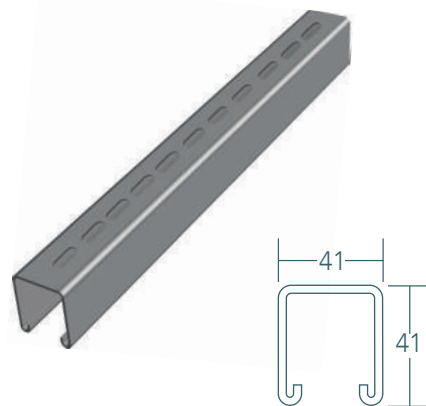
41 x 21 mm and 41 x 41 mm

Standard Length 3 Mtr, 6 Mtr Channel also available on request

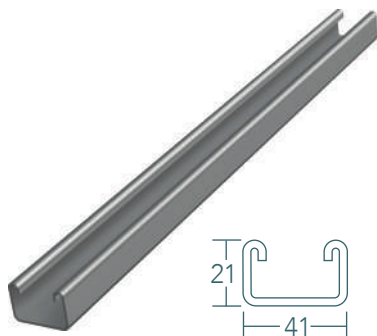
SC- P-4141 (Plain)



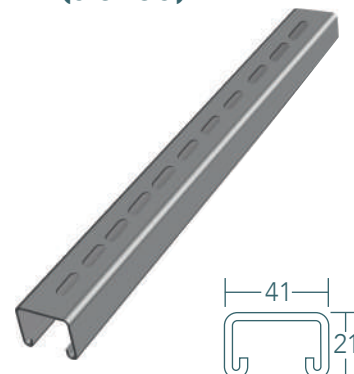
SC- S-4141 (Slotted)



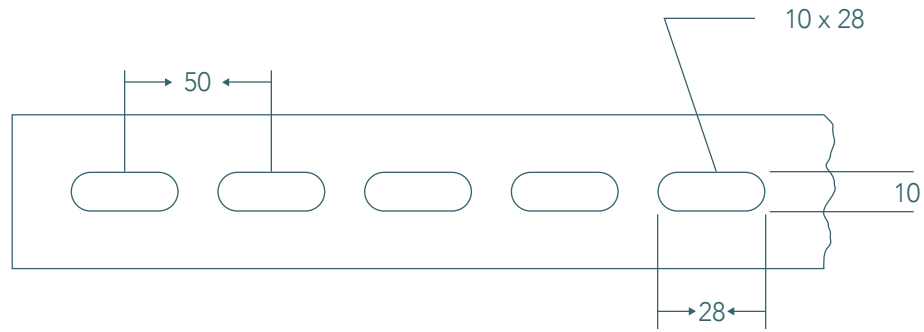
SC- P-4121 (Plain)



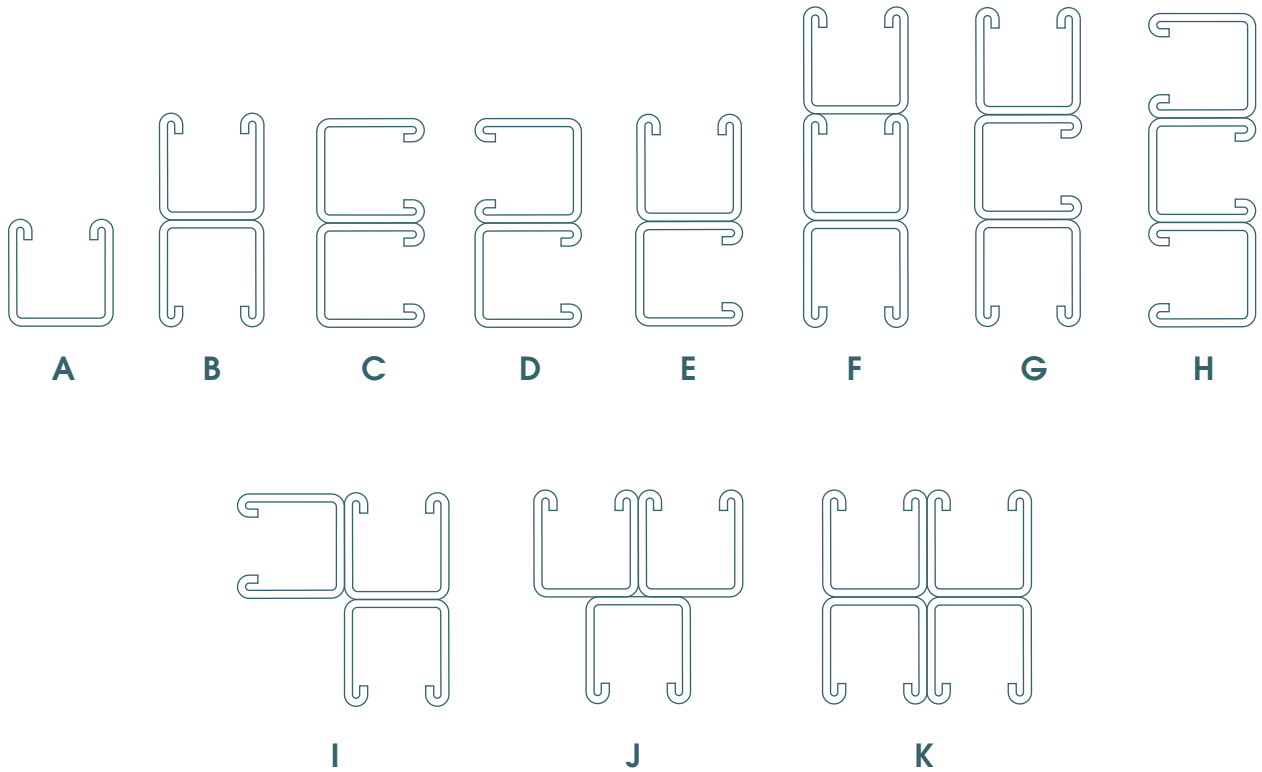
SC- S-4121 (Slotted)



Slotting Pattern



Combination Channels in SC - 4141 Series.



The above combination can be applied to **SC - 4121** series also

ENGINEERING DATA

Channels

Heavy gauged channels are cold rolled from 2.5mm cold rolled steel. Light gauge channels are cold rolled from 1.5 mm mild steel .

Medium gauged channels are cold rolled from 2.0 mm thick cold rolled steel.

Back to back channels are formed by welding together two finished single channels under controlled Conditions. All welds are suitably protected.

Standard lengths for single or multiple channels are 3m and 6m

Weight of channel in kg/mtr

Product Code	1mm	1.2mm	1.5mm	1.8mm	2mm	2.5mm
SC-P-4141	1.0934	1.3121	1.6401	1.9680	2.1868	2.7335
SC-P-4121	0.7810	0.9372	1.1715	1.4058	1.562	1.9525

STRUT CHANNEL LOAD CAPABILITIES

Strut Channel load capabilities (2.5mm thick)										Column Load	
Section	Distance Between Supports m	Laterally Unlock Condition				Fully Laterally Locked Condition				a Maximum AXIAL Column Load	
		Safe Maximum Loads		Maximum Deflection of Span/200		Safe Maximum Loads		Maximum Deflection of Span/200		Column Height m	Column Height m
		Uniformly Distributed Across Span kgf	Point Load at Mid-Span kgf	Uniformly Distributed Across Span kgf	Point Load at Mid-Span kgf	Uniformly Distributed Across Span kgf	Point Load at Mid-Span kgf	Uniformly Distributed Load kgf	Point Load at Mid-Span kgf		
SC-P-4141	0.60	747	374	747	374	747	374	747	374	0.60	5982
SC-P-4121		226	113	226	113	228	114	228	114		2879
SC-P-4141	0.80	543	271	543	271	560	280	560	280	0.80	5640
SC-P-4121		164	82	134	82	170	85	134	84		1867
SC-P-4141	1.00	419	210	419	210	447	223	447	223	1.00	5102
SC-P-4121		128	83	85	53	136	88	85	53		1253
SC-P-4141	1.20	336	168	336	168	371	186	371	186	1.20	4346
SC-P-4121		101	50	58	36	113	56	58	36		891
SC-P-4141	1.40	275	138	271	138	317	159	271	159	1.40	3549
SC-P-4121		83	41	42	26	96	48	42	26		664
SC-P-4141	1.60	230	115	206	115	277	139	206	129	1.60	2872
SC-P-4121		69	35	31	19	83	42	31	19		513
SC-P-4141	1.80	194	97	162	97	245	123	162	101	1.80	2345
SC-P-4121		59	29	23	15	73	37	23	15		408
SC-P-4141	2.00	165	83	130	81	220	110	130	81	2.00	2345
SC-P-4121		51	25	18	11	66	33	18	11		a332
SC-P-4141	2.20	142	71	106	66	199	100	106	66	2.20	1625
SC-P-4121		44	22	14	9	59	29	14	9		a276
SC-P-4141	2.40	123	61	87	55	182	91	87	55	2.40	1381
SC-P-4121		38	19	11	7	53	27	11	7		a233
SC-P-4141	2.60	107	53	73	46	167	83	73	46	2.60	1186
SC-P-4121		33	17	8	5	49	24	8	5		a199
SC-P-4141	2.80	94	47	61	38	154	77	61	38	2.80	1030
SC-P-4121		29	15	6	4	45	22	6	4		a172
SC-P-4141	3.00	82	41	52	33	143	71	52	33	3.00	902
SC-P-4121		25	13	4	3	41	21	4	3		a150

a Maximum axial load data is for pure axial load only.

b Load restriction due to slip.

Note

Values given in the safe maximum load column is having the deflection less than L/200. L is the distance between span data shown is for pre-galvanized channels only. For hot dip galvanized channel load carrying capacity is reduced to 80% due to hot dipping Process. All load shown are using M12 spring nut and hexagonal bolts for brackets.

CHANNEL NUTS (SPRING NUT)

Channel Nuts are used in Strut channel to achieve a weld less construction of frame works.

Available in sizes :- M6, M8, M10 and M12

Long Channel Nut is for 41x41 Channels and Short Channel Nut is for 41 x 21.

Available in different finishes like Electro plated Zinc (EG) & Stainless steel 316 grade (A4), 304 grade (A2) & Hot dip galvanized (HG)

The safe working loads for zinc plated channels nuts.

Slip M12 : 4.0 kN

M10 : 3.0 kN

Pullout M12 : 8.0 kN

M10 : 6.0 kN

Torque tightened to M12 : 7kgf.m

M10 : 5.5kgf.m

Use M 12 Channel Nut for Maximum Capacity

LONG SPRING NUT



T-LSN

SHORT SPRING NUT

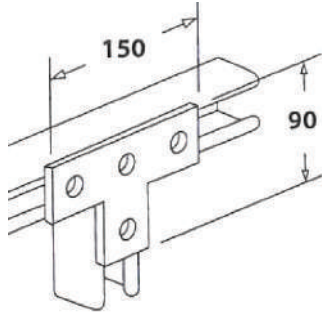


T-SSN

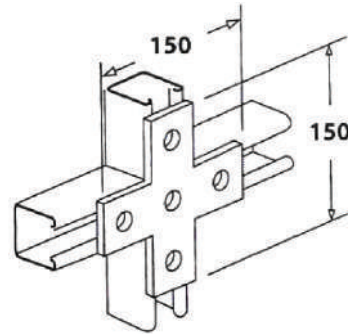
STRUT BRACKETS

FLAT SHAPE FITTING (FOR 41mm WIDTH SERIES CHANNEL)

T- 100

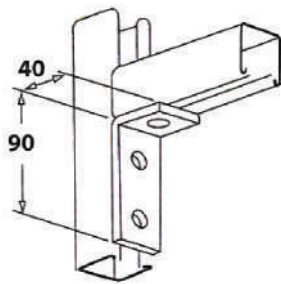


T-101

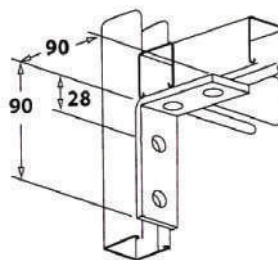


NINETY DEGREE ANGLE FITTING (FOR 41 mm WIDTH SERIES CHANNEL)

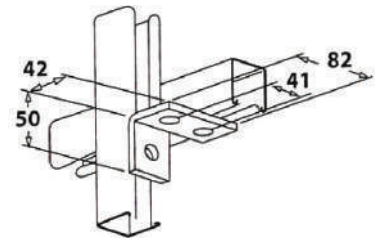
T-102



T-103

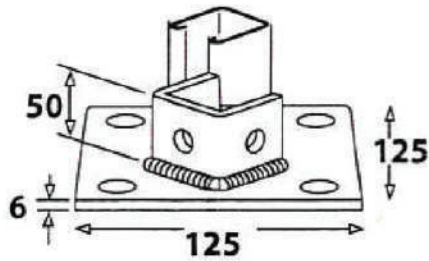


T-104

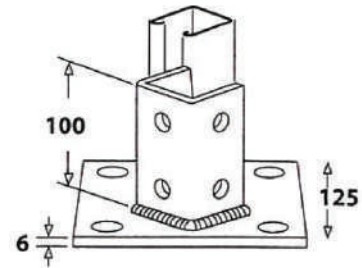


POST BASES (FOR 41mm WIDTH SERIES CHANNEL)

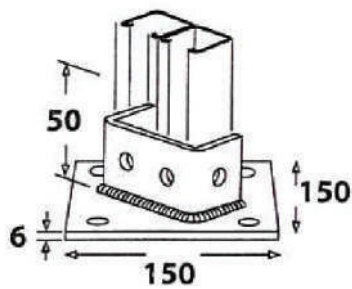
T-200



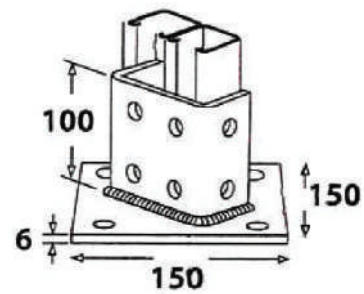
T-201



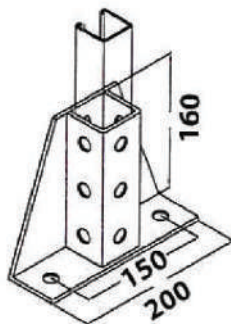
T-202



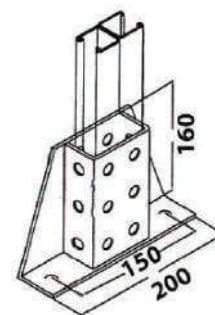
T-203



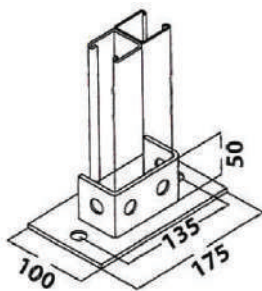
T-204



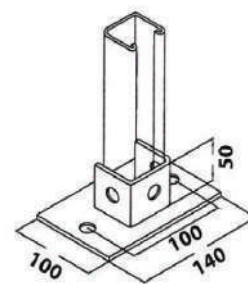
T-205



T-206



T-207





TECNALCO

Quality Air Distribution Since 1981

ALUMINIUM TECHNICAL ENGINEERING FACTORY

Manufacturer of high quality Air distribution devices and Duct accessories

P. O .Box : 73, Umm Al Quwain, U.A.E, Tel : +971 67 665661, Fax : +971 67 666686

E - mail : mail@tecnalco.com, Website : www.tecnalco.com

© Copyright reserved for TECNALCO.

"Due to continous progress and product improvement, TECNALCO reserves the right to make changes without notice."